

TYPE: GMV-LF-AC-EN32-PN16

LOOSE PLATE FLANGE WITH WELD-ON PLATE COLLAR

DIMENSIONS ACCORDING TO PN16

TYPE

- Loose plate flange with weld-on plate collar on tube end
- Dimensions according to PN16

STANDARD

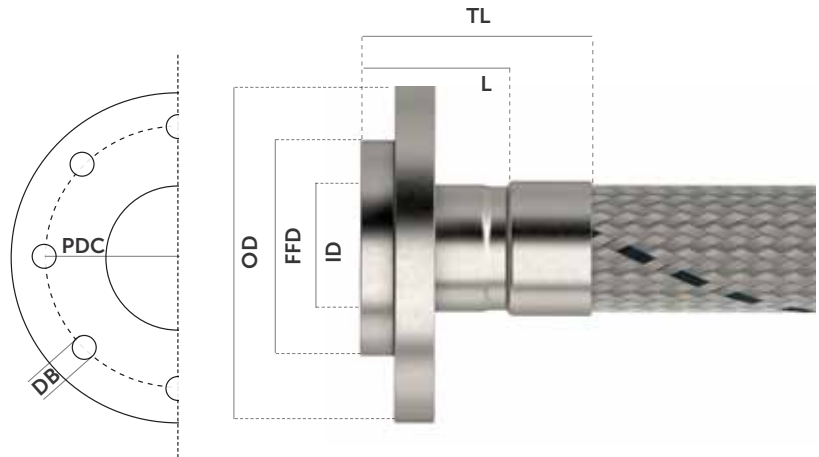
- ISO 10806:2003
- EN 1092-1:2007 (flange type n° 02, weld-on plate collar type n° 32)

MATERIAL

- Flange: carbon steel
- Collar: SS AISI 316L (w.nr. 1.4404)

OTHER SPECIFICATION

- Other materials for flange and collar are also available: carbon steel, SS AISI 304 (w.nr. 1.4301)
- Other pressure ratings are also available: PN6-PN40-PN100
- Material certificate acc. EN 10204:2004 type 3.1



TYPE: GMV-LF-AC-EN32-PN16

Code	For hose ID		L		BN	DB		PDC		OD		ID		TL		FFD	
	NB	inch	mm	inch		mm	inch	mm	inch	mm	inch	mm	inch	mm	inch	mm	inch
GMW-FF-C-EN32-PN16-DN15	DN12	1/2"	51	2.01	4	14	0.55	65	2.56	95	3.74	11.3	0.44	72	2.83	45	1.77
GMW-FF-C-EN32-PN16-DN20	DN20	3/4"	52	2.05	4	14	0.55	75	2.95	105	4.13	21.6	0.85	73	2.87	58	2.28
GMW-FF-C-EN32-PN16-DN25	DN25	1"	52	2.05	4	14	0.55	85	3.35	115	4.53	23.2	0.91	73	2.87	68	2.68
GMW-FF-C-EN32-PN16-DN32	DN32	1.1/4"	52	2.05	4	18	0.71	100	3.94	140	5.51	32.9	1.30	77	3.03	78	3.07
GMW-FF-C-EN32-PN16-DN40	DN40	1.1/2"	52	2.05	4	18	0.71	110	4.33	150	5.91	38.9	1.53	78	3.07	88	3.46
GMW-FF-C-EN32-PN16-DN50	DN50	2"	68	2.68	4	18	0.71	125	4.92	165	6.50	50.7	2.00	94	3.70	102	4.02
GMW-FF-C-EN32-PN16-DN65	DN65	2.1/2"	68	2.68	8	18	0.71	145	5.71	185	7.28	66.7	2.63	94	3.70	122	4.80
GMW-FF-C-EN32-PN16-DN80	DN80	3"	68	2.68	8	18	0.71	160	6.30	200	7.87	79.0	3.11	98	3.86	138	5.43
GMW-FF-C-EN32-PN16-DN100	DN100	4"	69	2.72	8	18	0.71	180	7.09	220	8.66	101.2	3.98	99	3.90	158	6.22
GMW-FF-C-EN32-PN16-DN125	DN125	5"	81	3.19	8	18	0.71	210	8.27	250	9.84	131.7	5.19	111	4.37	188	7.40
GMW-FF-C-EN32-PN16-DN150	DN150	6"	83	3.27	8	22	0.87	240	9.45	285	11.22	159.3	6.27	113	4.45	212	8.35
GMW-FF-C-EN32-PN16-DN200	DN200	8"	85	3.35	12	22	0.87	295	11.61	340	13.39	206.5	8.13	115	4.53	268	10.55

BN= number of bolts // DB= bolt diameter // PDC= bolt circle // FFD: flange facing dimensions