

TYPE: GMV-M-D-N01

CASTED VERSION

FIXED MALE NPT THREAD WITH HEXAGON

TYPE

- Fixed male NPT thread with hexagon
- Casted version

STANDARD

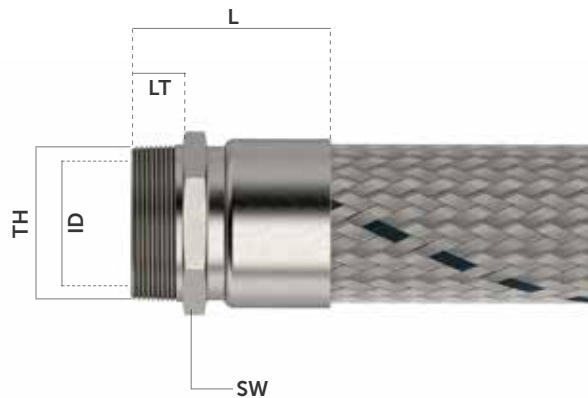
- ISO 10806: 2003
- ANSI B1.20.1: 2013
- DIN 475

MATERIAL

- SS AISI 316 (w.nr. 1.4408)

OTHER SPECIFICATION

- Electrolytic surface treatment



TYPE: GMV-M-D-N01

Code	For hose ID		L		TH	LT		ID		SW	
	NB	inch	mm	inch		mm	inch	mm	inch	mm	inch
GMV-M-D-N01-1/4"	DN06	1/4"	39.3	1.55	1/4" NPT	10.3	0.41	7.00	0.28	14	0.55
GMV-M-D-N01-3/8"	DN10	3/8"	43.4	1.71	3/8" NPT	10.4	0.41	8.50	0.33	17	0.67
GMV-M-D-N01-1/2"	DN12	1/2"	50.6	1.99	1/2" NPT	13.6	0.54	12.0	0.47	22	0.87
GMV-M-D-N01-3/4"	DN20	3/4"	51.9	2.04	3/4" NPT	13.9	0.55	18.0	0.71	27	1.06
GMV-M-D-N01-1"	DN25	1"	51.9	2.04	1" NPT	17.4	0.69	23.0	0.91	34	1.34
GMV-M-D-N01-1 1/4"	DN32	1 1/4"	60.4	2.38	1 1/4" NPT	18.0	0.71	30.0	1.18	42	1.65
GMV-M-D-N01-1 1/4"	DN40	1 1/2"	65.4	2.57	1 1/2" NPT	18.4	0.72	37.0	1.46	50	1.97
GMV-M-D-N01-2"	DN50	2"	66.3	2.61	2" NPT	19.3	0.76	48.0	1.89	60	2.36
GMV-M-D-N01-2 1/2"	DN65	2 1/2"	78.9	3.11	2 1/2" NPT	28.9	1.14	65.0	2.56	77	3.03
GMV-M-D-N01-3"	DN80	3"	85.5	3.37	3" NPT	30.5	1.20	77.0	3.03	92	3.62

TYPE: GMV-M-C-N01

MACHINED VERSION

FIXED MALE NPT THREAD WITH HEXAGON

TYPE

- Fixed male NPT thread with hexagon
- Machined version

STANDARD

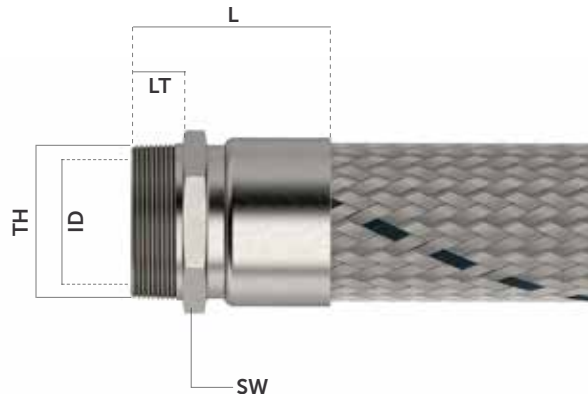
- ISO 10806:2003
- ANSI B1.20.1:2013
- DIN 475

MATERIAL

- SS AISI 316L (w.nr. 1.4404)

OTHER SPECIFICATION

- Material certificate acc. EN 10204:2004 type 3.1



TYPE: GMV-M-C-N01

Code	For hose ID		L		TH	LT		ID		SW	
	NB	inch	mm	inch		mm	inch	mm	inch	mm	inch
GMV-M-C-N01-1/4"	DN06	1/4"	42.2	1.66	1/4" NPT	15.2	0.60	6.00	0.24	14	0.55
GMV-M-C-N01-3/8"	DN10	3/8"	47.3	1.86	3/8" NPT	15.3	0.60	10.0	0.39	17	0.67
GMV-M-C-N01-1/2"	DN12	1/2"	55.9	2.20	1/2" NPT	19.9	0.78	12.0	0.47	22	0.87
GMV-M-C-N01-3/4"	DN20	3/4"	57.2	2.25	3/4" NPT	20.2	0.80	20.0	0.79	27	1.06
GMV-M-C-N01-1"	DN25	1"	62.1	2.44	1" NPT	25.1	0.99	23.0	0.91	36	1.42
GMV-M-C-N01-1 1/4"	DN32	1 1/4"	67.2	2.65	1 1/4" NPT	25.7	1.01	32.0	1.26	46	1.81
GMV-M-C-N01-1 1/2"	DN40	1 1/2"	68.6	2.70	1 1/2" NPT	26.1	1.03	40.5	1.59	50	1.97
GMV-M-C-N01-2"	DN50	2"	71.9	2.83	2" NPT	26.9	1.06	45.0	1.77	65	2.56