

# TYPE: GMV-M-D-B01

CASTED VERSION

## FIXED MALE BSPT THREAD WITH HEXAGON

### TYPE

- Fixed male BSPT thread with hexagon
- Casted version

### STANDARD

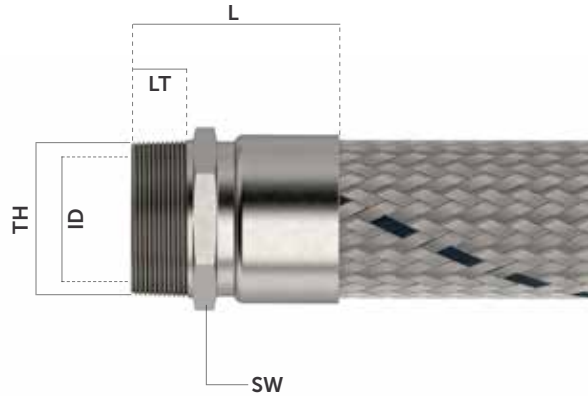
- ISO 7-1:1994
- ISO 10806:2003
- EN 10226-1:2004
- DIN 475-1

### MATERIAL

- SS AISI 316 (w.nr. 1.4408)

### OTHER SPECIFICATION

- Electrolytic surface treatment



### TYPE: GMV-M-D-B01

Code	For hose ID		L		TH	LT		ID		SW	
	NB	inch	mm	inch		mm	inch	mm	inch	mm	inch
GMV-M-D-B01-1/4"	DN06	1/4"	38.8	1.53	1/4" BSPT	9.80	0.39	7.00	0.28	14	0.55
GMV-M-D-B01-3/8"	DN10	3/8"	43.2	1.70	3/8" BSPT	10.2	0.40	8.50	0.33	17	0.67
GMV-M-D-B01-1/2"	DN12	1/2"	50.3	1.98	1/2" BSPT	13.3	0.52	12.0	0.47	22	0.87
GMV-M-D-B01-3/4"	DN20	3/4"	53.5	2.11	3/4" BSPT	15.5	0.61	18.0	0.71	27	1.06
GMV-M-D-B01-1"	DN25	1"	54.0	2.13	1" BSPT	15.0	0.59	23.0	0.91	34	1.34
GMV-M-D-B01-1 1/4"	DN32	1 1/4"	63.2	2.49	1 1/4" BSPT	19.2	0.76	30.0	1.18	42	1.65
GMV-M-D-B01-1 1/2"	DN40	1 1/2"	66.2	2.61	1 1/2" BSPT	19.2	0.76	37.0	1.46	50	1.97
GMV-M-D-B01-2"	DN50	2"	70.5	2.78	2" BSPT	23.5	0.93	48.0	1.89	60	2.36
GMV-M-D-B01-2 1/2"	DN65	2 1/2"	76.8	3.02	2 1/2" BSPT	26.8	1.06	65.0	2.56	77	3.03
GMV-M-D-B01-3"	DN80	3"	85.0	3.35	3" BSPT	30.0	1.18	77.0	3.03	92	3.62
GMV-M-D-B01-4"	DN100	4"	92.0	3.62	4" BSPT	36.0	1.42	100	3.94	114	4.49

# TYPE: GMV-M-C-B01

MACHINED VERSION

## FIXED MALE BSPT THREAD WITH HEXAGON

### TYPE

- Fixed male BSPT thread with hexagon
- Machined version

### STANDARD

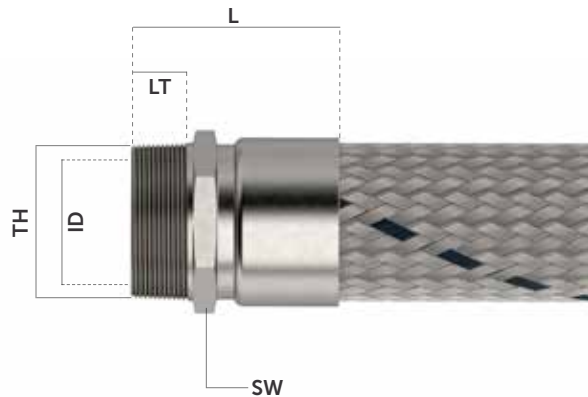
- ISO 7-1:1994
- ISO 10806:2003
- EN 10226-1:2004
- DIN 475-1

### MATERIAL

- SS AISI 316L (w.nr. 1.4404)

### OTHER SPECIFICATION

- Material certificate acc. EN 10204:2004 type 3.1



### TYPE: GMV-M-C-B01

Code	For hose ID		L		TH	LT		ID		SW	
	NB	inch	mm	inch		mm	inch	mm	inch	mm	inch
GMV-M-C-B01-1/4"	DN06	1/4"	37.0	1.46	1/4" BSPT	10.0	0.39	6.00	0.24	14	0.55
GMV-M-C-B01-1/2"	DN12	1/2"	54.5	2.15	1/2" BSPT	18.5	0.73	12.0	0.47	22	0.87
GMV-M-C-B01-3/4"	DN20	3/4"	56.5	2.22	3/4" BSPT	19.5	0.77	20.0	0.79	27	1.06
GMV-M-C-B01-1"	DN25	1"	59.5	2.34	1" BSPT	22.5	0.89	23.0	0.91	36	1.42
GMV-M-C-B01-1 1/4"	DN32	1 1/4"	66.0	2.60	1 1/4" BSPT	24.5	0.96	32.0	1.26	46	1.81
GMV-M-C-B01-1 1/2"	DN40	1 1/2"	70.0	2.76	1 1/2" BSPT	25.5	1.00	40.5	1.59	50	1.97
GMV-M-C-B01-2"	DN50	2"	75.0	2.95	2" BSPT	30.0	1.18	48.0	1.89	65	2.56