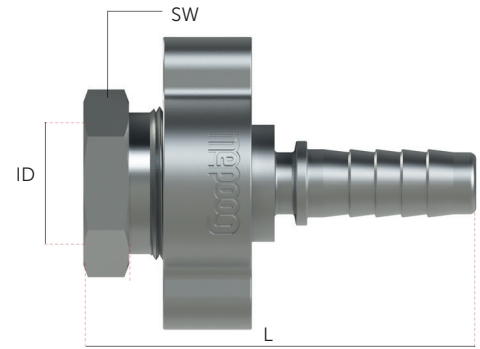


GDS-UFOR-A-N01
 GOODALL DURACRIMP
 GROUND JOINT COMPLETE FEMALE NPT



APPLICATION :

- Goodall DuraCrimp couplings are recommended as steam hose connections.
- These couplings are also widely used for air and water applications up to 1"ID.

PRESSURE AND TEMPERATURE:

- Recommended for steam service up to 261 PSI (18 BAR) and 450°F (232°C)

THREAD

- According ANSI B1.20.1: 2013 (NPT)

MATERIAL :

- Galvanized steel, Cr6-free

SEALING :

- Genuine Viton® O-ring (special formulated by Chemours - DuPont) for high pressure steam applications. The Viton® O-ring is protected inside a machined stem groove for extended working life. The Goodall Viton Seal Coupling passes the 1000 hour MIL-DTL-29210 test.

RECOMMENDED HOSE ATTACHMENTS :

- Goodall DuraCrimp Ferrules type F-GDS
- Safety hose clamps according EN14423



FEATURES :

- Advantages of assemblies crimped with Goodall DuraCrimp ferrules:
 - low profile and eliminate sharp edges from bolts to prevent injuries
 - 100 % safe and leak-free
 - Ergonomic: lighter and offer possibility to mount user-friendly Goodall steam handle
- Special design interlock groove locks the Goodall DuraCrimp ferrule into place for a superior permanent connection
- Leak-proof sealing with nut hand tightened
- All galvanized steel DuraCrimp fittings and ferrules are Cr6-free with no negative impact on the environment and users
- Goodall Inferno ISO6134 or Super Inferno assemblies with DuraCrimp fittings and ferrules pass the MIL-DTL-29210 test

TYPE: GDS-UFOR-A-N01

Code	For hose ID		L		TH	ID		SW	
	NB	inch	mm	inch		mm	inch	mm	inch
GDS-UF-A-N01-3/4"	DN20	3/4"	121,4	4,78	3/4' BSPT	14	0,55	50	1,97
GDS-UF-A-N01-1"	DN25	1"	121,4	4,79	1' BSPT	20	0,79	50	1,97

All information contained on this datasheet is subject to change without prior notice. GOODALL MAKES NO WARRANTIES, EXPRESSED OR IMPLIED, INCLUDING, BUT NOT LIMITED TO, ANY IMPLIED WARRANTY OF MERCHANTABILITY OR FITNESS FOR A PARTICULAR PURPOSE OR COURSE OF PERFORMANCE OR USAGE OF TRADE. Buyer/end-user is responsible for determining whether the Goodall product is fit for a particular purpose and suitable for buyer's/user's method of use or application. Failure to follow procedures for selection, installation, care, maintenance and storage of hoses may result in the hose's failure to perform properly and may result in damage to property and/or serious injury. Goodall or any of its affiliates or subsidiaries shall not be subject to and disclaims any obligations or liabilities (including but not limited to all consequential, incidental and contingent damages) arising from tort claims (including without limitation negligence and strict liability) or other theories of law.